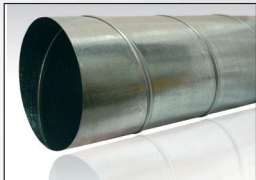


TUBEFORMERS

The Tubeformer machines are revolutionary automatic spiral tubeformers that combine the most advanced technology with one of the smallest footprints in the industry! Unlike other compact models, the Tubeformer 2.0 and Tubeformer 1.2 will not sacrifice speed, power, or technology. All Tubeformer machines are the most affordable in their class with unsurpassed features and reliability make them the best value.

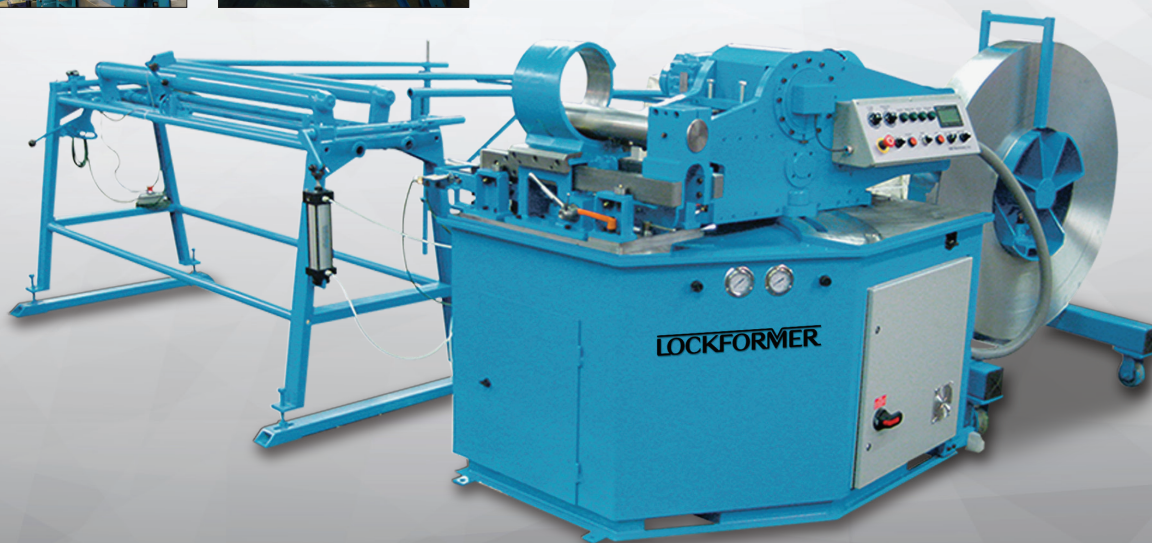
Tubeformer machines are available in two versions:

- **1.2:** Our most popular model produces spiral pipe up to 18 gauge (1.25 mm) thickness with a maximum speed of 241 ft/min (87 m/min).
- **2.0:** Our workhorse model offers both highspeed and heavy gauge capacities producing spiral pipe from 28-14 gauge (0.50-2.0 mm) thickness with maximum speeds of 287-344 ft/min (84-104 m/min) depending on gauge.

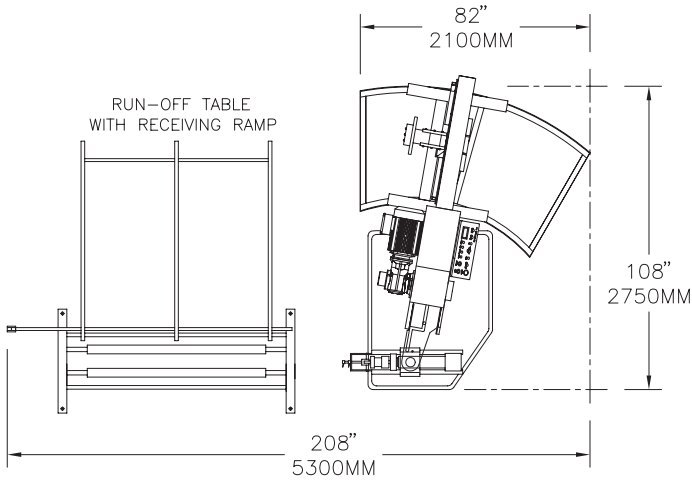


Included features of all Tubeformer machines:

- Self-diagnostics and digital length control
- Spiral Smart Technology™, user-friendly control system takes the guess work out of set-up and pressure settings for proper operation.
- On The Flying Slitting Device for silent cutting tubes of 4" diameter and maximum material thickness of 20 gauge
- 10' standard run-off table
- Decoiler
- Unbeatable customer service offering technical support and parts
- Only compact unit in the industry that is fully automatic
- Ergonomically friendly to the operator



TUBEFORMERS



TUBEFORMER 1.2 SPECS:

CAPACITY

- 28-18 gauge galvanized steel
- 28-22 gauge stainless steel

DIAMETER RANGE

- 3" - 64" (80-1600mm)

MAX STRIP SPEED (GALV. STEEL)

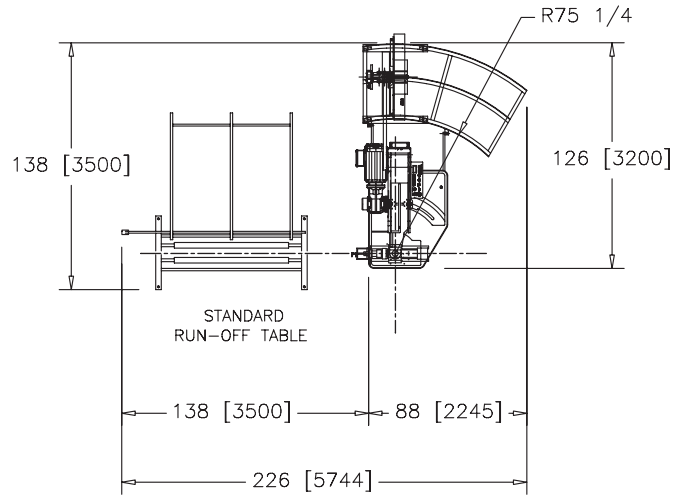
- 241 fpm

MOTOR/VOLTAGE

- 230V or 460V/3ph/60Hz
Special voltage available

DIMENSIONS/WEIGHT

- Length - 72"
- Width - 68"
- Height - 62"
- Weight - 3,000 lbs.



TUBEFORMER 2.0 SPECS:

CAPACITY

- 28-14 gauge mild steel

DIAMETER RANGE

- 3" - 100" (80-2500mm)

MAX STRIP SPEED (GALV. STEEL)

- 287-344 fpm

MOTOR/VOLTAGE

- 460V/3Ph/60Hz
Special voltage available

DIMENSIONS/WEIGHT

- Length - 72"
- Width - 78"
- Height - 62"
- Weight - 3,200 lbs.