

KeepRite®

REFRIGERATION

COMMERCIAL REFRIGERATION PRODUCTS



The Right Choice For The Refrigeration Professional

KeepRite®
REFRIGERATION

EVAPORATORS

EC EC MOTORS AVAILABLE



HALF ROUND



Designed for walk-in coolers requiring positive, low air movement discharged radially in an 180 degree arc.



- Air defrost models for 35°F and above room temperatures
- Available in eight sizes from 3,730 to 20,400 BTUH at 10°F TD



LOW VELOCITY



Ideally suited where low air movement and even temperatures throughout the refrigerated space are required, while maintaining desired humidity conditions.



- Air, electric and hot gas defrost models for 28°F and above room temperatures
- Available in 10 sizes from 6,000 BTUH to 37,000 BTUH at 10°F TD

SMARTSPEED FAN MOTOR TECHNOLOGY Included with EC Motors option

ESP+ Available with ESP+



TWO-WAY LOW PROFILE



Ideal for reach-in and walk-in coolers.



- High, medium & low temperature applications
- Available from 950 to 11,500 BTUH at 10°F TD



TWO-WAY MEDIUM PROFILE



Ideal for reach-in and walk-in coolers.



- Air, electric or hot gas defrost models for -10°F and above box temperature
- Available in ten sizes from 11,500 to 29,500 BTUH at 10°F TD

SMARTSPEED FAN MOTOR TECHNOLOGY Included with EC Motors option

ESP+ Available with ESP+



SMART 3
Systems Savings Solutions

EVAPORATORS

EC EC MOTORS AVAILABLE



LOW PROFILE



Storage space is optimized by the compact, slim profile.



- Air, electric and hot gas defrost models for -40°F and above room temperatures
- 12 sizes ranging in capacity from 4,300 to 39,000 BTUH at 10°F TD
- PSC motor is standard
- Value-priced pre-assembled units available!

SMARTSPEED Included with EC Motors option

ESP+ Available with ESP+



MEDIUM PROFILE



Designed for large walk-in coolers and freezers.



- Air, electric and hot gas defrost models for -40°F and above room temperatures
- 12 sizes ranging from 18,000 to 88,000 BTUH at 10°F TD

SMARTSPEED Included with EC Motors option

ESP+ Available with ESP+



EXTENDED PROFILE



A smaller footprint than high profile evaporators - yet delivering similar amounts of air throw.



- Air, electric and hot gas defrost models for -40°F and above room temperatures
- Multiple sizes ranging from 26,000 to 124,000 BTUH at 10°F TD

SMARTSPEED Included with EC Motors option

ESP+ Available with ESP+



HIGH PROFILE



Ideally suited for warehouse/ industrial cooler and freezer applications.



- Optional blast cooler and freezers applications available.
- Air, electric and hot gas defrost models.
- Multiple sizes from 73,000 to 278,000 BTUH at 10°F TD
- Customizations are available

ESP+ Available with ESP+

ESP+

INTUITIVE EVAPORATOR CONTROL TECHNOLOGY

- Precise Temperature Control for Improved Product Integrity
- Energy Efficient Operation
- Remote Monitoring + Control

EASY INSTALLATION: TWO PIPES, TWO WIRES AND YOU'RE DONE!*

*Some exceptions, visit k-rp.com/esp for details

PRE-ASSEMBLED EVAPORATOR INCLUDES:



Adaptive Defrost Control Board



Remote ESP+ Display



EEV



Solenoid Valve

CONDENSING UNITS

EC EC MOTORS AVAILABLE
 WIRE GRILLE ON 1/2-5 HP



SEMI HERMETIC



- High, medium and low temperature
- 1 to 22 HP
- Painted Weather-Resistant Housing Standard
- Copeland or Bitzer compressors
- Indoor/Outdoor



SMARTSPEED™ Included with EC Motors option
FAN MOTOR TECHNOLOGY



HERMETIC



- High, medium and low temperature applications
- 1/2 to 5 HP
- Painted Weather-Resistant Housing Standard
- Indoor/Outdoor



SMARTSPEED™ Included with EC Motors option
FAN MOTOR TECHNOLOGY



SCROLL



- High, medium and low temperature
- 3/4 to 17 HP
- Painted Weather-Resistant Housing Standard
- Copeland scroll compressors
- Indoor/Outdoor



SMARTSPEED™ Included with EC Motors option
FAN MOTOR TECHNOLOGY



PATENT NO. 8635883, 9151525, & 9297567

SMARTSPEED™

FAN MOTOR TECHNOLOGY

SMARTSPEED HIGHLIGHTS

- Motor speed changes according to system operation and ambient conditions
- Reduced Energy Consumption and System Refrigerant Charges
- No complex controls required, easy to operate



SMART³
Systems Savings Solutions

AVAILABLE FOR EVAPORATORS AND CONDENSING UNITS

CONDENSING UNITS

EC+ EC MOTORS STANDARD

EXPANDED CAPACITIES



QUIETUNIT

REFRIGERATION DUTY CONDENSING UNITS

COMPACT QUIET OUTDOOR SCROLL COMPRESSORS



- Medium and low temperature applications
- Sizes range from 1/2 to 6 HP
- Innovative design ensures quiet, energy efficient operation
- Compact size provides greater installation flexibility
- Optional wall mounting kit available
- Copeland compressors
- Outdoor
- Refrigeration Duty



STANDARD VARIABLE SPEED EC MOTORS PROVIDE

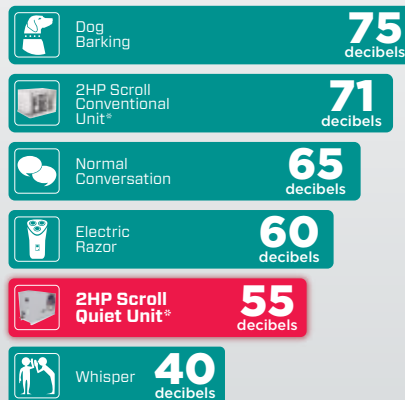
- Energy Savings Through Speed Reduction
- Reduced Sound Levels
- Low Refrigerant Charge Due To No Flooding Valve

- 1/2 HP - 6 HP High/Med. Temp (0°F - +40°F SST) R404A/R407C
- 1 - 6 HP Low Temp (-40°F - 0°F) R404A
- Low Ambient Operation (As Low As -35°F)
- 208-230/1/60, 208-230/3/60, 460/3/60

TESTING RESULTS SHOW

- Sound levels are approx 15 dBA lower than conventional style condensing units at 70°F (full speed)
- Sound levels are approx 20 dBA lower than conventional condensing units below 70°F (lower speed)
- Save up to 25% on energy costs*
- Head pressure and stable liquid temperature to the TXV maintained to ensure optimal TXV performances

HOW QUIET IS THE KEEPRIE QUIET UNIT?



* Dependent upon numerous factors, please refer to product documentation for complete details.



SMART 3
Systems Savings Solutions

CHECK OUT OUR VIDEOS

Learn about the versatility and convenience of KeepRite Refrigeration's Quiet Unit and other technologies from the Smart³ suite of Systems Savings Solutions.

k-rp.com/quietunit



CONDENSING UNITS



COAXIAL WATER COOLED



Designed for large walk-in coolers and freezers.

- High, medium and low temperature
- Sizes range from 1/2 to 6 HP
- Copeland Hermetic, Semi-Hermetic and Scroll compressors
- Indoor



WATER COOLED



Ideally suited for warehouse/ industrial cooler and freezer applications.

- High, medium and low temperature
- 1/2 to 40 HP
- Indoor



REMOTE



- High, medium and low temperature
- 1/2 to 40 HP
- Indoor

AHR
EXPO
INNOVATION AWARDS
WINNER
2015



SMART³
Systems Savings Solutions

LIMITROL⁺

FLOATING HEAD PRESSURE CONTROL SYSTEM

WHAT DOES IT DO?

Conventional head pressure control systems maintain a constant head pressure regardless of ambient temperatures. Limitrol+ intelligently responds to ambient conditions to float head pressure without sacrificing system performance at lower temperatures. Limitrol+ offers:

- Reduces compressor energy consumption and run time
- EC motor technology further saves energy and reduces electrical requirements
- Lowered environmental impact through reduced refrigerant use
- Stable system performance in lower ambients

CHECK OUT OUR VIDEOS

Learn about the versatility and convenience of KeepRite Refrigeration's Limitrol+ and other technologies from the Smart³ suite of Systems Savings Solutions.

k-rp.com/limitrol

MULTI COMPRESSOR UNITS



HERMETIC COOLER/ FREEZER COMBO



- One unit for both cooler and freezer boxes, saving space, installation time and shipping cost.
- Copeland compressors
- Oversized condenser surface
- Oversized receiver
- Oversized electrical control panel
- Single point electrical hook up



SCROLL COOLER/ FREEZER COMBO



- One unit for both cooler and freezer boxes, saving space, installation time and shipping cost.
- Copeland scroll compressors
- Oversized condenser surface
- Oversized receiver
- Oversized electrical control panel
- Single point electrical hook up



OUTDOOR AIR COOLED



- Single, dual or multiple compressors
- Vertical air discharge
- High, medium, low & ultra-low temperature applications
- Copeland, Bitzer or Tecumseh compressors
- Flexible design is suitable for a wide variety of applications
- Large HP units from 15-100 HP (high/medium temperature) and 10-80 HP (low temperature)
- Medium HP units from 6-40 HP (high/medium temperature) and 7.5 to 44 HP (low temperature)

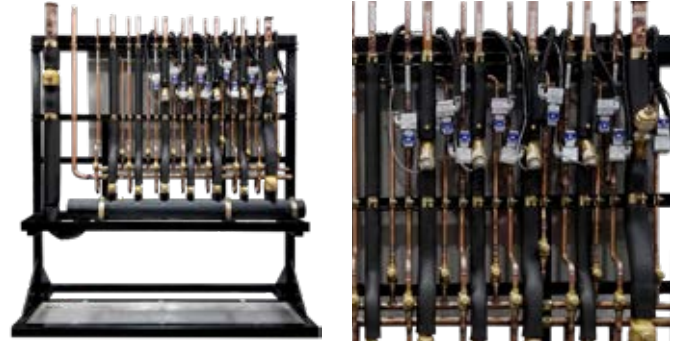


OUTDOOR MULTI-COMPRESSOR



- Total system flexibility using multiple compressor models and applications on a common chassis.
- Up to four section cabinet choices of either Hermetic, Scroll or Semi-Hermetic multiple compressors with maximum three compressors per fan section.
- Compressor sizes available ranging from 1/2 through 10 HP, to a maximum total of 10 HP per fan section and 40 HP per unit. (Based on compressor type and application, 95°F design Ambient).

MULTI COMPRESSOR UNITS



PARALLEL RACKS



- Parallel Piped Compressor Rack Systems provide Refrigeration Capacity Load Matching.
- Custom systems for demanding requirements wide range of horse power available
- Multiple Compressor Control / Temperature Monitoring using Micro-processors. Can accommodate various PLCs (CPC, Microthermo, Danfoss, Dixell, Johnson Controls, Paragon Multi-Timer)
- Active oil management systems ensure reliable compressor operation
- Custom electrical control panels engineered and built to match system needs
- Oversized Headers

REMOTE HEADERS



- Remote Circuit Panel for Control of Defrost
- Mounted Vertical or Horizontal Receiver
- Filter/Drier/Sight Glass
- CPC, Microthermo, Danfoss, PLCs and other controllers supported
- Multiple Suction Groups for Dual Temp Applications
- Heat Exchanger for Vapour Injected Compressors
- Insulated Liquid Lines for Sub Cooling Applications
- Mounted Leak Detector
- Flexible Mounting for Space Limited Applications

LINK

LINK/LINK+

MULTI-COMPRESSOR REFRIGERATION SYSTEM

Link and Link+ systems redefine flexibility in commercial refrigeration solutions.

Each system is custom designed from the ground up to meet your specific application need. This allows for the delivery of a ruggedly constructed design that maximizes system performance, energy savings and serviceability.

CHECK OUT OUR VIDEOS

Learn about the versatility and convenience of KeepRite Refrigeration's Link/Link+ and other technologies from the Smart³ suite of Systems Savings Solutions.

k-rp.com/link

LINK LOW PROFILE

LINK+

SMART³
Systems Savings Solutions



CONDENSERS

EC EC MOTORS AVAILABLE



SMALL AIR COOLED



- Refrigeration or Air Conditioning Duty
- 2 tons to 24 tons THR at 25°F TD
- Compact size provides greater installation flexibility
- Horizontal or vertical air discharge



MEDIUM AIR COOLED



- Refrigeration or Air Conditioning Duty
- 9 tons to 49 tons THR at 25°F TD
- 1 to 8 Fan Models
- Horizontal or vertical air discharge



LARGE AIR COOLED



- Refrigeration or Air Conditioning Duty
- 7 to 270 nominal tons (R404A, 25°F TD, 60 Hz)
- 1 to 14 Fan Models
- Single width and double width models available
- 550, 850, or 1140 RPM or EC motors
- Horizontal or vertical air discharge



SMART³

Systems Savings Solutions

QUIETUNIT
REFRIGERATION DUTY CONDENSING UNITS

SMARTSPEED™
FAN MOTOR TECHNOLOGY

LIMITROL +
FLOATING HEAD PRESSURE CONTROL SYSTEM

LINK/LINK +
MULTI-COMPRESSOR REFRIGERATION SYSTEM

ESP +

LOW GWP
REFRIGERANTS

DC DEFROST CONTROL
TECHNOLOGY

DS DISTRIBUTED
REFRIGERATION SYSTEMS

EC EC SHAFTED
MOTOR TECHNOLOGY

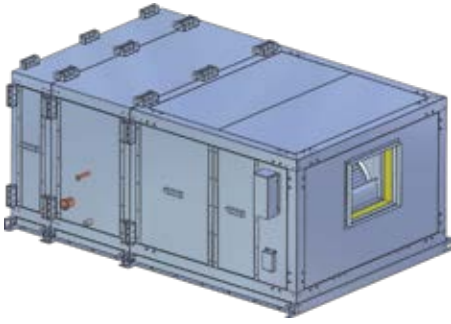
A SUITE OF SYSTEMS SAVINGS SOLUTIONS DESIGNED TO MEET THE NEEDS OF TODAY'S REFRIGERATION PROFESSIONAL

CHECK OUT OUR VIDEOS

Learn about the versatility and convenience of KeepRite Refrigeration's Smart³ suite of Systems Savings Solutions. k-rp.com/s3



AIR HANDLERS

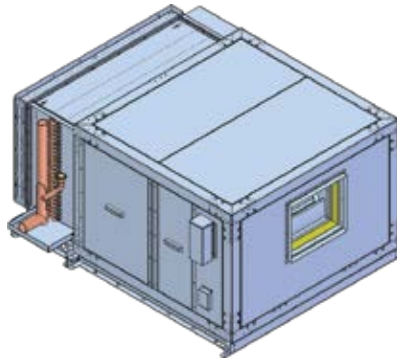


AIR HANDLERS



Available in single zone, horizontal or vertical models from 700 to 64,000 CFM, the unit allows design flexibility and higher total static pressures.

- **Indoor/Outdoor Applications**
- 14 Models
- Up to 6" total static pressure
- Up to 64,000 CFM
- Up to 75 hp

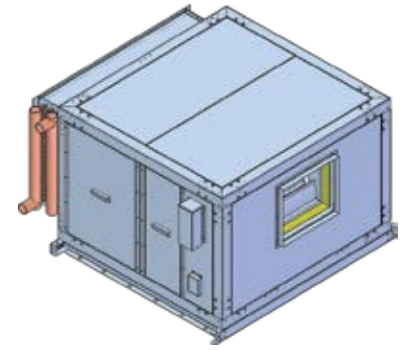


PRODUCT COOLERS



This flexible unit can be used in any number of applications ranging from low temperature freezers to ripening rooms.

- **Indoor Applications Only**
- Large Face Area Centrifugal Fan
- "Bolt-On" Coil for Maximum Capacity in Minimum Space
- 10 Models
- Up to 44,000 CFM
- Up to 30 HP



AIR COOLED CONDENSER



An alternative to roof mounted propeller fan type units and an ideal choice for indoor mounted and ducted applications.

- **Indoor Applications Only**
- Large Face Area Centrifugal Fan
- "Bolt-On" Coil for Maximum Capacity in Minimum Space
- 14 Models
- Up to 55,000 CFM
- Up to 50 HP



**INDOOR/
OUTDOOR AIR
HANDLERS
OFFERING UP
TO 64,000
CFM WITH UP
TO 8" STATIC
PRESSURE**

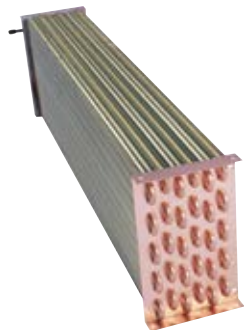
FEATURES

- Single wall heavy gauge galvanized cabinet
- Full size access doors for easy maintenance
- Efficient forward curved blower
- Internal motor
- ETL Certification
- Horizontal and vertical cabinet styles
- External electrical box mounted on cabinet
- Extended grease lines with external access
- Stainless steel drain pan on all cooling coils

OPTIONS

- Double wall cabinet with 2" mineral wool insulation
- Outdoor cabinet
- Internal vibration isolators
- Airfoil (up to 8" total static pressure)
- Disconnect switch
- Flat filter
- Angle filters
- Mixing box
- Dampers

OTHER PRODUCTS



FREE STANDING COILS



KDX DIRECT EXPANSION

7, 8, 10 or 12 fins per inch spacing,
from 2 through 10 rows deep

KWS, KWH, KWD WATER COOLING

Water cooling coils can fill
requirements for any design load,
from 2 to 10 rows

KWS, KWH, KWD & TYPE "B" WATER HEATING

Water heating coils can fill
requirements for any design load,
from 2 to 10 rows

KHR HEAT RECLAIM

7, 8, 10 or 12 fins per inch spacing,
from 2 through 10 rows deep

RUN AROUND HEAT RECOVERY

Run around cycle of heat recovery
can be used on systems where
exhaust air temperatures do not
exceed 300°F



FLUID COOLERS



Direct drive fluid coolers may use water or glycol as
fluids for:

- Process fluid cooling, remote radiators, secondary
heat exchangers, and industrial water coolers.
- Wide range of capacities



A free suite of
software tools
for refrigeration
professionals.

Learn more at:
www.k-rp.com/dt

WE SERVE ALL REGIONS OF NORTH AMERICA

1 NORTH EAST REGION

e: ne.sales@k-rp.com

TAUTON MA

Joe Gallego

t: (314) 326-0721

2 EAST CENTRAL REGION

e: ec.sales@k-rp.com

RALEIGH NC

Brett Godin

t: (704) 249-0309

ROCK HILL NC

David Dorn

t: (704) 771-0777

PHILADELPHIA PA

Zachary Eads

t: (314) 315-2200

3 SOUTH EAST REGION

e: se.sales@k-rp.com

ROSWELL GA

William Allen

t: (770) 570-0729

Ross Shafer

t: (636) 290-4577

4 NORTH CENTRAL REGION

e: nc.sales@k-rp.com

CHICAGO IL

Mike Schriener

t: (773) 844-1619

5 SOUTH CENTRAL REGION

e: sc.sales@k-rp.com

LAKE ST. LOUIS MO

Bob Schindler

t: (636) 699-6766

DALLAS/FT. WORTH TX

Jonah Greco

t: (636) 395-1687

6 WEST REGION

e: w.sales@k-rp.com

FULLERTON CA

Johnny Smith

t: (562) 631-6814

LOMA LINDA CA

Dick Gallina

t: (909) 800-0137

7 WESTERN CANADA

e: wc.sales@k-rp.com

VANCOUVER BC

Andrew McKinney

t: (604) 353-9392

CALGARY AB

Franco Tabat

t: (403) 463-3101

8 CENTRAL CANADA/MARITIMES

e: cc.sales@k-rp.com

MISSISSAUGA ON

**George Tusiuk, Michael Nolan,
Walter Langille, Trevor Woods**

t: (226) 381-0520

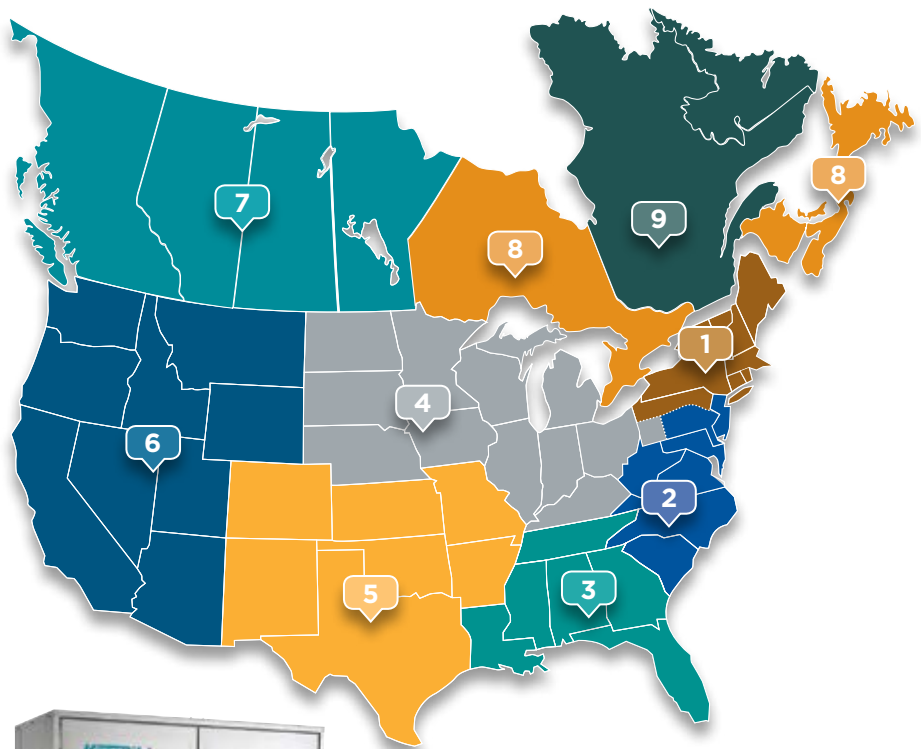
9 QUEBEC

e: qc.sales@k-rp.com

SAINT-SAUVEUR QC

Pierre Bouchard, Bryan Couture

t: (450) 667-9998



RAISING THE STANDARD

At KeepRite Refrigeration, we know all about building a solid reputation for quality, service and value - we've been doing it for 70 years.

One of the ways we ensure that we progress is to continually improve our customer service - making sure that we have experienced dedicated professionals ready to support you at every step of the way - from initial consultation, through manufacturing to delivery and after sale support. Our network of customer support professionals now blankets North America, ready to help you meet your individual requirements.

As we move forward, we will continue raising the standard we set for ourselves and our products. In turn, we will provide our customers the assurance of quality, service and value they have come to expect, and continue to be...

The Right Choice For The Refrigeration Professional.

KeepRite Refrigeration

Brantford, ON • Longview, TX

www.k-rp.com

Due to National Refrigeration's policy of continuous product improvement, we reserve the right to make changes without notice.