

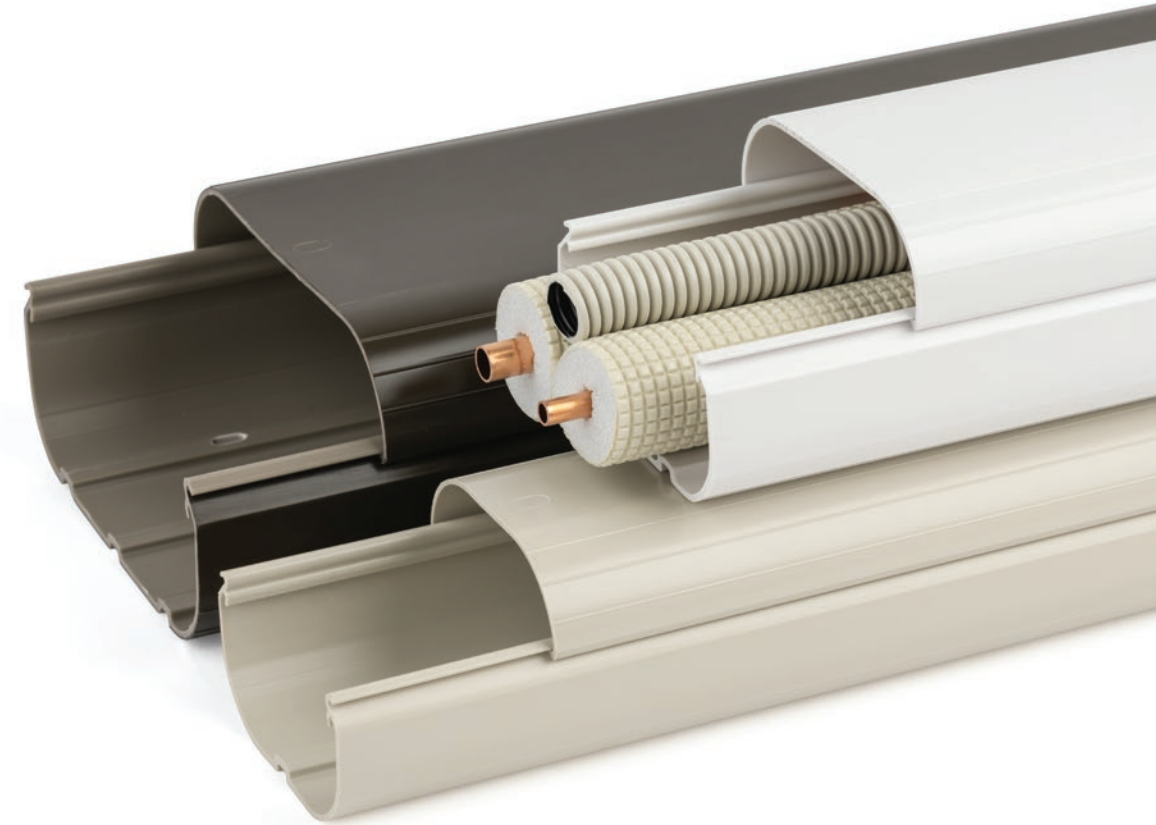


**INABA DENKO™**  
INTRODUCES

## **SLIMDUCT™ SD**

The protective finishing touch for your installation

Engineered for mini-split air conditioners, our modular Slimduct SD Lineset Cover for residential properties is your ideal choice to conceal, protect, and beautify exposed linesets. Slimduct SD protects vulnerable linesets from weather damage, vandalism, and pests. It has unlimited application for various configurations. Easy to install, and available in five colors and three sizes, Slimduct SD is an adaptable solution that offers an extensive variety of inlets and ells to complete any installation.



To find out more, visit:  
[www.InabaDenko-America.com](http://www.InabaDenko-America.com)

## TECHNICAL SPECS

- **Material:** Weather resistant, UV stabilized, and Flame retardant PVC
- **Weather Resistant:** JIS D 0205, SWOM test conducted over 2000 hours
- **Fixing Screw:** Stainless steel
- **Temperature Range:** -4°F to 140°F
- **Application:** Wall mounted
- **Sizes:** SD-77 (3"), SD-100 (4"), SD-140 (5-5/8")
- **Fittings:** A wide variety of fittings to accommodate your unique configuration.

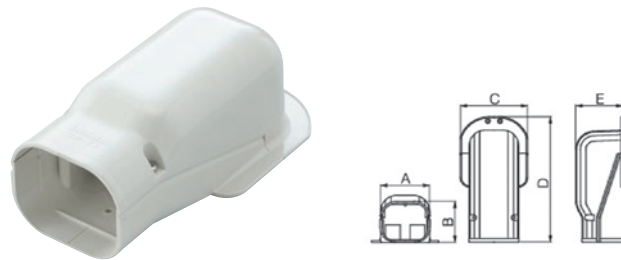
### Colors:



Item No.	Insulation Thickness	Lineset size (Liquid line x Suction line)												
		1/4" x 3/8"	1/4" x 1/2"	1/4" x 5/8"	3/8" x 5/8"	3/8" x 3/4"	3/8" x 7/8"	1/2" x 1-1/8"	5/8" x 1-1/8"	5/8" x 1-1/4"	3/4" x 1-1/4"	3/4" x 1-1/2"	7/8" x 1-1/2"	7/8" x 1-5/8"
SD-77	1/2" x 1/2"	1	1	-	-	-	-	-	-	-	-	-	-	-
	3/4" x 3/4"	-	-	-	-	-	-	-	-	-	-	-	-	-
SD-100	1/2" x 1/2"	1	1	1	1	1	1	-	-	-	-	-	-	-
	3/4" x 3/4"	-	-	-	-	-	-	-	-	-	-	-	-	-
SD-140	1/2" x 1/2"	3	2	2	2	1	1	1	1	1	1	1	1	1
	3/4" x 3/4"	1	1	1	1	1	1	1	1	-	-	-	-	-

Includes Drain Hose (O.D. 7/8) and Power/Control Cables.

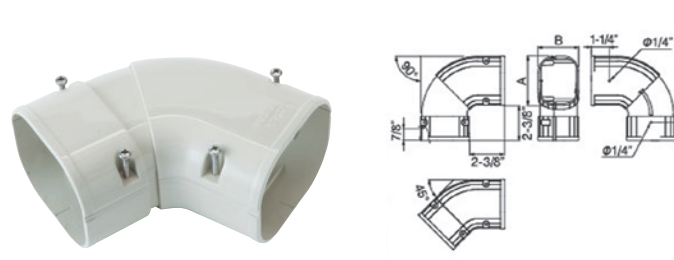
## SW - WALL INLET



Code No.	Item No.	A	B	C	D	E	Pcs/Pkg*
C 0412	SW-77	3-3/8"	2-5/8"	4-3/8"	8-1/8"	3-1/8"	60 (20)
C 0413	SW-100	4-3/8"	3"	5-1/8"	8-7/8"	3-1/2"	10 (10)
C 0414	SW-140	5-3/4"	3-3/8"	6-5/8"	11-1/8"	3-7/8"	5 (5)

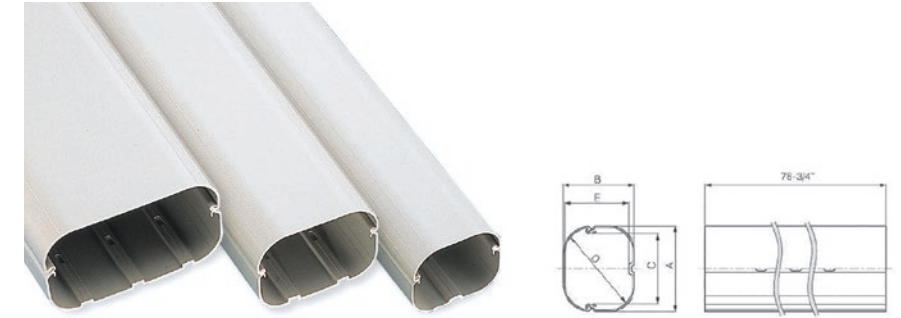
\*( ) shows quantity of Gray, White, Black, and Brown.

## SKS - ADJUSTABLE FLAT ELL 45° TO 90° CORNER



Code No.	Item No.	A	B	Pcs/Pkg
C 0538	SKS-77	3-1/4"	2-3/4"	10
C 0539	SKS-100	4-1/4"	3"	10

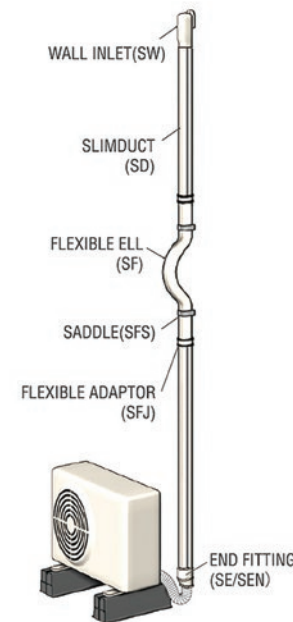
## SD - STRAIGHT DUCT



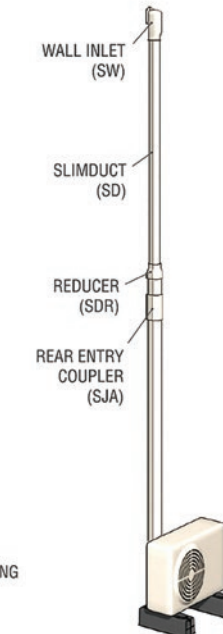
Code No.	Item No.	A	B	C	D	E	Pcs/Bundle
C 0402	SD-77	3"	2-1/2"	2-3/8"	2-3/8"	3"	15
C 0403	SD-100	4"	2-7/8"	2-7/8"	3-1/2"	4"	10
C 0404	SD-140	5-5/8"	3-1/4"	3-1/4"	4-7/8"	5-3/8"	5

## EXAMPLES OF APPLICATIONS

### OBSTACLES



### VERTICAL MULTIPLE RUN



### BASIC

