

North American Distributor
for Big Foot Systems:

AIRTEC

the complete solution



**BIG FOOT
SYSTEMS**

... to support building services and access equipment on a flat roof

free 48hr
design service

www.bigfootsystems.co.uk

Index

■ GUIDE TO BIG FOOT SYSTEMS	4
■ BENEFITS	6
■ CUSTOM FRAMEWORKS	8
■ STANDARD FRAMEWORKS	10
■ H FRAME SUPPORT SYSTEM / PLATFORMS	12
■ MULTI FOOT SUPPORT SYSTEM	13
■ FIX-IT FOOT SUPPORT SYSTEM	14

The complete solution to supporting building services and access equipment on a flat roof

Big Foot Systems are designed to support anything that is installed on a flat roof. This creates a safe and secure support for all air conditioning and refrigeration roof plant and associated services.

Big Foot Systems have been used on countless prestigious projects including BAA Heathrow Airport, Leatherhead Police HQ, University of Leeds, HSBC Leicester and the TTC Hotel Dublin.

The main advantages of using the Big Foot System are:-

- **Reduced risk of leaks**
Does not penetrate the roof surface, removing any difficult detailing around concrete structures
- **Reduces the cost of the roofing installation**
Removes concrete obstacles, creating a clear roof area therefore reducing complex, timely and expensive detailing
- **No equipment removal**
No need to remove roof equipment during roof repairs or resurfacing
- **Improved aesthetics**
Neat and tidy solution for all roof equipment and associated services



Guide to Big Foot Systems

There are no limits to what can be supported with a Big Foot System. Most simple installations can be successfully achieved using our range of standard frames.

On more complex projects we offer a custom frame design service. Our design team simply requires the weights and dimensions of the equipment with a roof plan if available, to produce a quotation and advise weight loadings. In addition, custom H Frames can be manufactured for heavy duty pipe, duct and cable supports.







Due to the flexible nature of the Big Foot System, it is possible to change elements of the frame design during or even after the completion of the project.

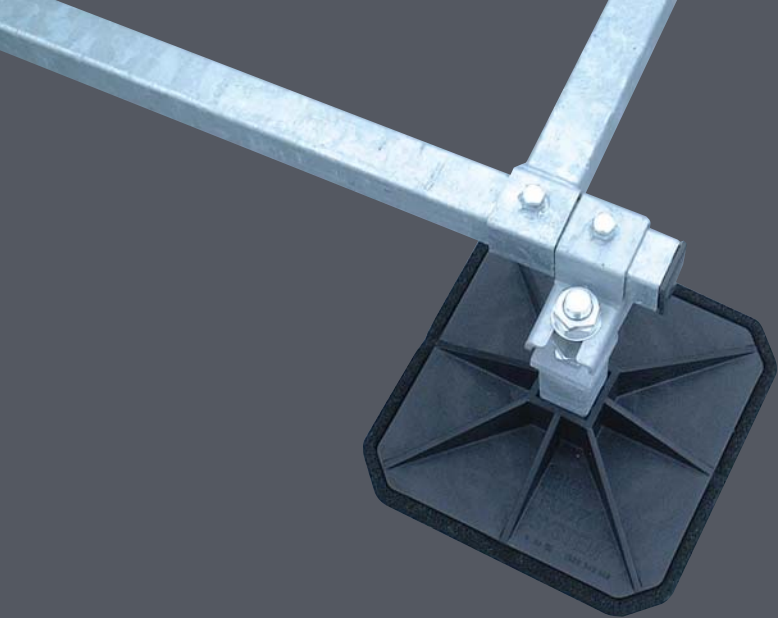
The growth in single ply roofing membranes has driven the need for free standing roofing support systems. Big Foot Systems have continued to improve the product range and technical support to meet the challenges of modern construction techniques.



INSTALLED BY SBH DESIGN & INSTALLATION SERVICES LTD

- PIPEWORK
- EVAPORATORS
- EXTRACTORS
- DUCTWORK
- SPLITS
- HEAT PUMPS
- CABLE TRAYS
- VRV'S
- SOLAR PANELS
- AIR HANDLERS
- VRF'S
- WALKWAYS
- CONDENSERS
- CHILLERS
- STEP OVERS

	FRAMEWORKS pg. 6-11	H FRAME SET pg. 12	MULTI FOOT pg. 13	PLATFORMS pg. 13	FIX-IT FOOT pg. 14
units 	✓			✓ <small>FOR SMALL UNITS</small>	✓ <small>FOR SMALL UNITS</small>
access 					
pipework 	✓ <small>RUNNING ALONGSIDE UNITS</small>	✓	✓	✓	✓
ductwork 	✓ <small>RUNNING ALONGSIDE UNITS</small>	✓	✓	✓	✓
cable trays 	✓ <small>RUNNING ALONGSIDE UNITS</small>	✓	✓	✓	✓
busbars 	✓ <small>RUNNING ALONGSIDE UNITS</small>		✓	✓	✓



Benefits

- SETS THE STANDARD!
- 48 HOUR DESIGN SERVICE – LET US DO THE WORK
- SPREADS THE WEIGHT OF THE SUPPORTED PLANT
- EACH FOOT CAN BE REMOVED INDIVIDUALLY TO ALLOW EASY ACCESS TO THE ROOF SURFACE DURING RE-ROOFING OR REFURBISHMENT WITHOUT REMOVING EQUIPMENT
- NO PENETRATION OF THE WATERPROOF MEMBRANE, ELIMINATING ANY DIFFICULT DETAILING, THEREFORE REDUCING THE RISK OF LEAKS
- COST EFFECTIVE
- COMPLETE ON-SITE FLEXIBILITY BOTH DURING AND AFTER INSTALLATION
- FLATPACK SYSTEM FOR EASY TRANSPORT
- HOT DIPPED GALVANIZED METALWORK
- ELIMINATES THE RISK TO ROOF GUARANTEE



RE-ROOFING

The Big Foot System legs may be removed individually for re-roofing/ refurbishment, without removing the equipment.



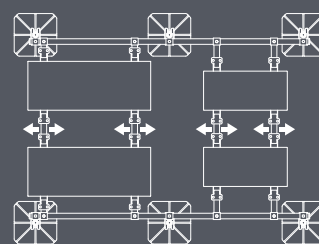
HEIGHT ADJUSTMENT

The legs incorporate over 100mm (4in) of vertical height adjustment, to take up variations in the roof. (300mm (1ft): stepped roof option).



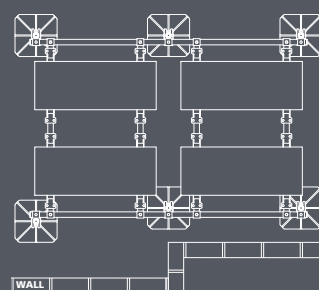
CONDENSER CLAMPS

The repositionable clamps locate on both sides of the cross-bars, locking down onto the feet of the condenser units as they are tightened.



LINEAR ADJUSTMENT

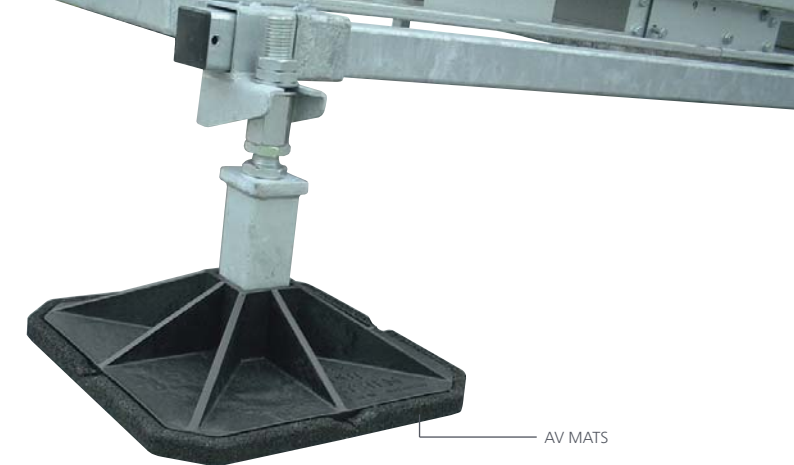
The cross-bars which support the condenser units can slide along the plain bars into the position required, then are locked securely in place.



LEG & BRACKET POSITIONING

The leg & bracket are usually positioned outside the framework, but can be positioned inside if there is an obstruction.

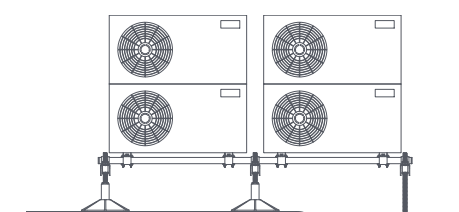
IMPORTANT: The purchaser or installer of these products must satisfy themselves that the roof structure is of sufficient strength to take the combined weight of the Big Foot System and units.



TOTAL LEG HEIGHT: 375mm
(575mm/1.9ft: stepped roof option)

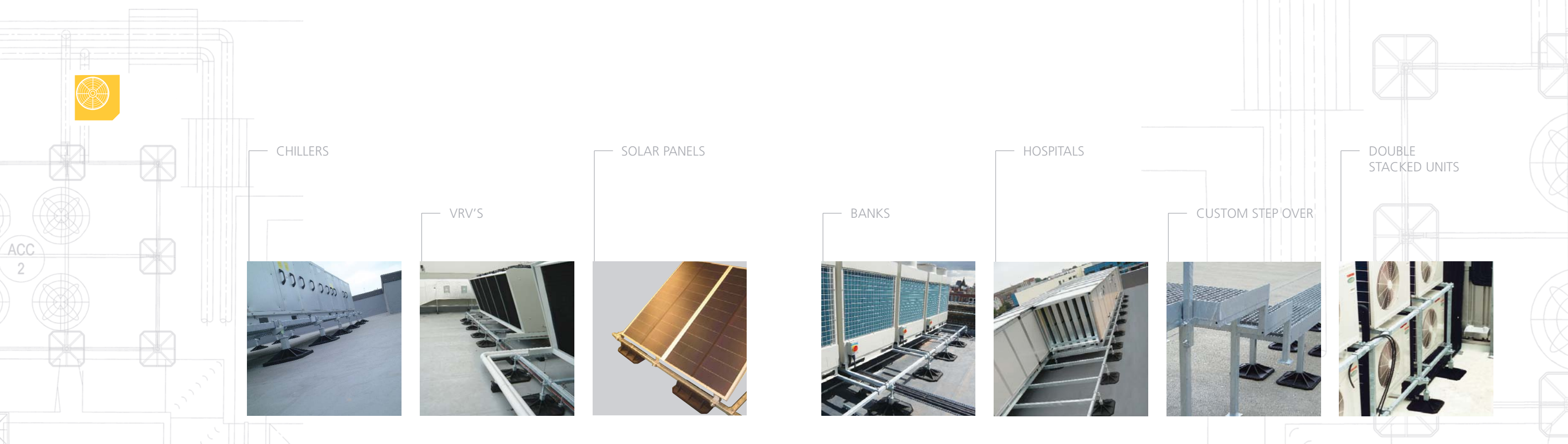
HEIGHT ADJUSTMENT:

245mm – 350mm (0.8ft – 1.1ft): floor to framework
(245mm – 550mm/0.8ft – 1.8ft: stepped roof option)



Large Stud (440mm/1.4ft)
can be purchased as an extra individual component if required.





Custom Frameworks

Tailored to meet your every need.

With a plan of your roof and dimensions / weights of the plant, we can specify complete Big Foot frameworks to support up to 10 tons. The system is completely flexible – we can change any part of the design of the frame at any time! We can increase or reduce the weight loading (kN/m²) by changing the number of leg assemblies on the frame.

The Big Foot bases are made of Glass filled Nylon with UV protection. An independent anti-vibration mat is provided for each foot. All metalwork is hot dip galvanized for all weather protection.

- SITE VISIT
- 48 HRS DESIGN SERVICE
- DETAILED PROJECT COSTINGS

Our system allows for each leg assembly to be removed individually while the roof surface is maintained or even re-roofed without the need to remove equipment.

Big Foot Systems set the standard of installation on site, providing the consultant with a method of installation which is quick, clean, practical and aesthetically pleasing.

**ALL WE NEED IS
A PLAN OF YOUR
ROOF, UNIT
WEIGHTS AND
DIMENSIONS.
WE WILL DO
THE REST!**





Standard Frameworks

There are three basic standard frameworks available in 1m, 2m and 3m (3.3ft, 6.6ft and 9.8ft) versions.

For flexibility, all leg assemblies and cross-bars on the standard frameworks slide up and down to the required location (see page 7).

The standard frameworks come with 305mm² (1ft²) feet which are provided with anti-vibration mats to fit underneath. The frame is constructed from 40mm x 40mm (1.6in x 1.6in) standard box section.

For heavier loads larger 450mm² (1.5ft²) feet are available and heavy duty 50mm x 50mm (2in x 2in) box section for some components.



WEIGHT: 42KG (93LB)

SYSTEM COMPONENTS

- 2 x 1m (3.3ft) PLAIN BARS – 40 x 40mm (1.6in²) SECTION
- 2 x 1.2m (3.9ft) CROSS BARS – 40 x 40mm (1.6in²) SECTION
- 4 x LEG ASSEMBLIES WITH AV MATS – 305mm² (1ft²)
- 2 x CLAMP KITS

2 Unit System Framework – Part no. B6075

1 METRE (3.3FT) SYSTEM FRAMEWORK

WEIGHT: 70KG (154LB)

SYSTEM COMPONENTS

- 2 x 2m (6.6ft) PLAIN BARS – 40 x 40mm (1.6in²) SECTION
- 4 x 1.2m (3.9ft) CROSS BARS – 40 x 40mm (1.6in²) SECTION
- 6 x LEG ASSEMBLIES WITH AV MATS – 305mm² (1ft²)
- 4 x CLAMP KITS

4 Unit System Framework – Part no. B6077

2 METRE (6.6FT) SYSTEM FRAMEWORK

WEIGHT: 97KG (214LB)

SYSTEM COMPONENTS

- 2 x 3m (9.8ft) PLAIN BARS – 40 x 40mm (1.6in²) SECTION
- 6 x 1.2m (3.9ft) CROSS BARS – 40 x 40mm (1.6in²) SECTION
- 8 x LEG ASSEMBLIES WITH AV MATS – 305mm² (1ft²)
- 6 x CLAMP KITS

6 Unit System Framework – Part no. B6078

3 METRE (9.8FT) SYSTEM FRAMEWORK



H Frame Support System

The H Frame Set is a quick, versatile and economical solution for supporting pipework, ductwork, cable trays or any combination of these. You provide your own unistrut, keeping the duct and pipe installations low cost and totally flexible by fabricating the frameworks on-site.

Using inserts, the feet adapt to accommodate 41mm x 41mm (1-5/8in) off-the-shelf unistrut. The majority of installations require 305mm (1ft) H Frames but where a greater load spread is required 450mm (1.5ft) H Frames are also available.

SMALL FEET: 305 x 305 x 75mm (1 x 1 x 0.25ft)
LARGE FEET: 450 x 450 x 100mm (1.48 x 1.48 x 0.33ft)



On larger, more complex projects, we are able to offer a pre-fabricated H Frame design service.



- KIT INCLUDES:**
- 2 x feet
 - 2 x AV mats
 - 2 x unistrut inserts
 - 2 x L-Brackets
 - 4 x M10 bolts
 - 4 x square channel nuts
- KIT DOES NOT INCLUDE UNISTRUT**

H Frame Set 305mm (1ft) – Part no. B6088
H Frame Set 450mm (1.48ft) – Part no. B6089

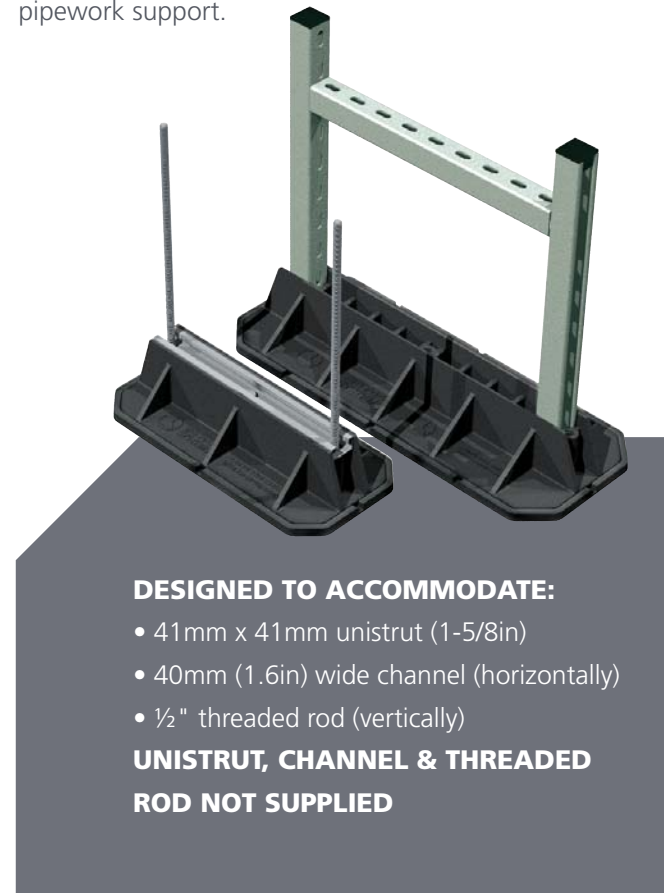
Multi Foot Support System

As part of the expanding Big Foot range, the Multi Foot is designed to be a multi-purpose ductwork, cable and pipework support.

The Multi Foot is an extremely versatile and cost effective one-piece support available in two sizes with optional AV mats.

SMALL: 400 x 180 x 95mm (1.3 x 0.6 x 0.3ft)
LARGE: 600 x 220 x 95mm (2 x 0.7 x 0.3ft)

Multi Foot can be used to support small and large pipework systems, cable trays, ductwork or any combination of these.



- DESIGNED TO ACCOMMODATE:**
- 41mm x 41mm unistrut (1-5/8in)
 - 40mm (1.6in) wide channel (horizontally)
 - 1/2" threaded rod (vertically)
- UNISTRUT, CHANNEL & THREADED ROD NOT SUPPLIED**

Small Multi Foot – Part no. B6357
Small Multi Foot AV mat – Part no. B6358
Large Multi Foot – Part no. B6359
Large Multi Foot AV mat – Part no. B6360



Platforms



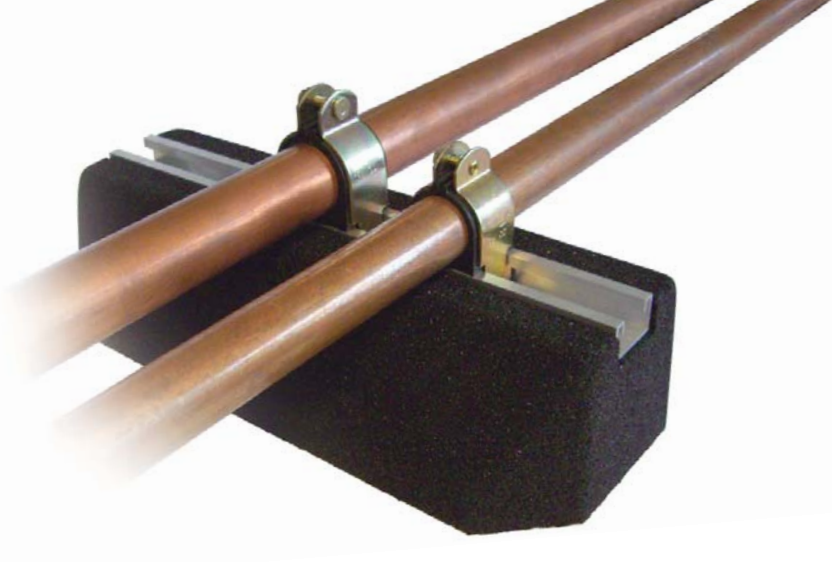
Simply fitted into the top of the Big Foot mouldings, these Platforms provide a versatile support system. Available with a plain top or with 2 or 4 sides, they have a central M10 threaded insert and are supplied in pairs with Big Feet and AV mats.



FLAT PLATFORM
Useable area:
126 x 126mm (5 x 5in)
305mm² (1ft²) – Part no. B9098
450mm² (1.5ft²) – Part no. B9101

2 SIDED PLATFORM
Useable area:
114 x 126mm (4.5 x 5in)
305mm² (1ft²) – Part no. B9099
450mm² (1.5ft²) – Part no. B9102

4 SIDED PLATFORM
Useable area:
114 x 114mm (4.5 x 4.5in)
305mm² (1ft²) – Part no. B9100
450mm² (1.5ft²) – Part no. B9103



Fix-it Foot Support System

The 3 sizes of Fix-it Foot are the latest addition to the Big Foot support range. This foot has 40mm x 20mm (1.6in x 0.8in) aluminium channel recessed into the top face, allowing fixing of the services resting across the feet.

Recesses in the underside allow for small debris on the roof surface. The Fix-it Foot is made of durable recycled rubber, which offers built-in anti-vibration and makes it both an economical and environmentally responsible piece of kit!



3 SIZES AVAILABLE:

FIX-IT FOOT 250 250 x 180 x 95mm
(9.8 x 7.1 x 3.7in)

FIX-IT FOOT 400 400 x 180 x 95mm
(15.7 x 7.1 x 3.7in)

FIX-IT FOOT 600 600 x 220 x 95mm
(23.6 x 8.6 x 3.7in)

Fix-it Foot Low

The smaller, lighter alternative to the existing Fix-it Foot range. The Fix-it Foot Low is suitable for supporting small pipe work systems, ductwork runs & cable trays. (Not recommended for small units)

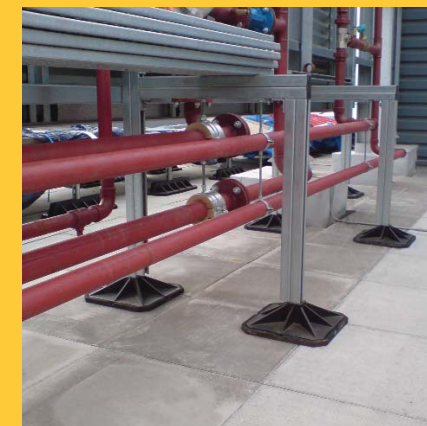


2 SIZES AVAILABLE:

FIX-IT FOOT LOW 250 250 x 130 x 50mm
(9.8 x 5.1 x 2in)

FIX-IT FOOT LOW 400 400 x 130 x 50mm
(15.8 x 5.1 x 2in)

Small Fix-it Foot Low with Channel – Part no. B9043
Medium Fix-it Foot Low with Channel – Part no. B9045



Big Foot Systems takes no responsibility for the condition of the roof on which our equipment is to be used. You must ensure that the substrate on which the Big Foot is intended for use is structurally sound enough to take the weight and point loadings we have indicated.

All Big Foot products must be installed in line with the guarantees and recommendations of the manufacturer of the roofing system. The manufacturer of PVC membranes should advise on the susceptibility migration of plasticizers and specific recommendations should be adhered to so that the roof guarantee is not affected.

Small Fix-it Foot with Channel – Part no. B6735
Medium Fix-it Foot with Channel – Part no. B6736
Large Fix-it Foot with Channel – Part no. B6737

Airtec

1244 Davol Street
Fall River, MA 02720

USA

tel: 800-324-7832
fax: 508-673-0115



www.bigfootsystems.co.uk



MANUFACTURED
IN GREAT BRITAIN